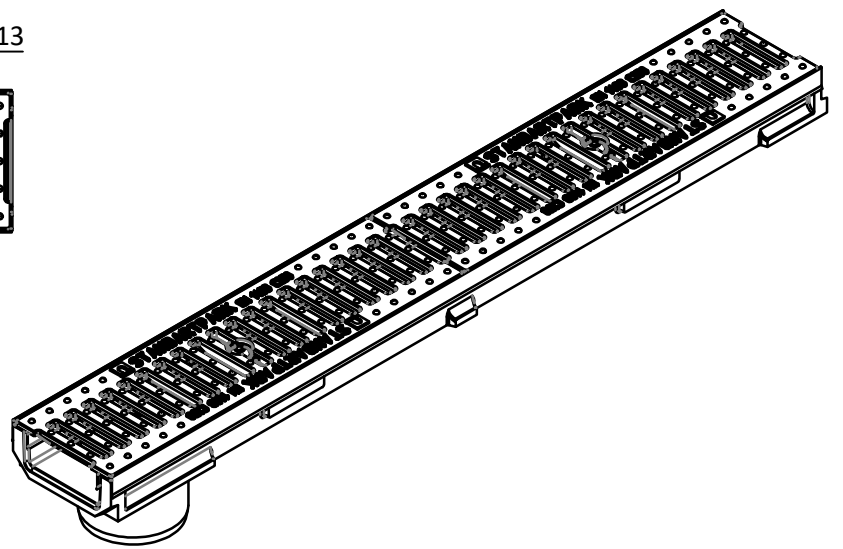
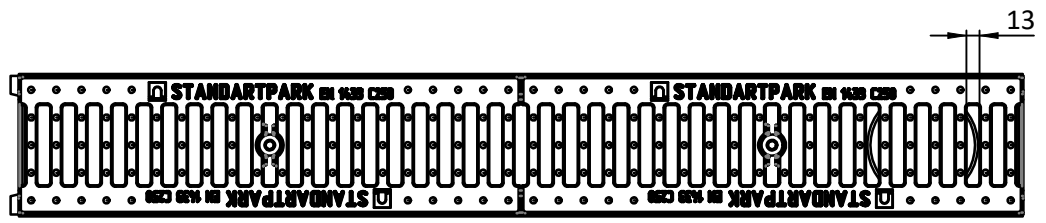
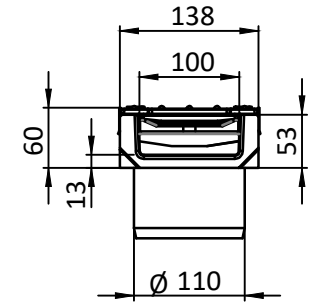
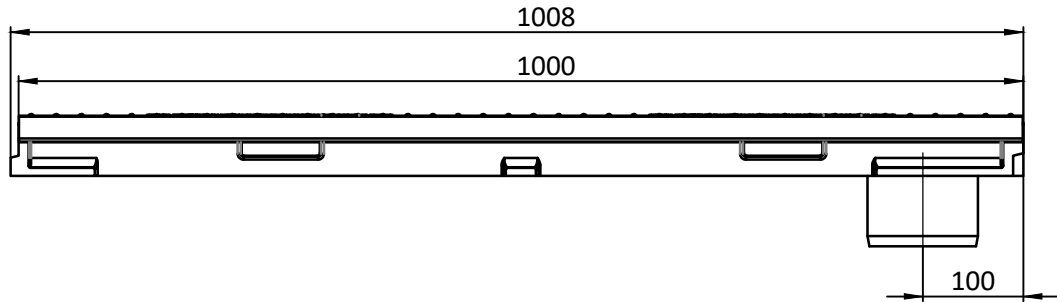


Primary Usage
Reference No.
Orig. Inv. Np. Sign. and date
Repl. Inv. Np. Sign. and date
Copy inv. Np. Sign. and date

070110907203031



1. Deviation of the actual weight of the nominal can be up to 8%

				Polymer Concrete Channel Kit Rigola PB cu gratar Fonta			
Rev	Sheet	Doc. No.	Sign.	Data	Let.	Weight	Scale
				10.05.17		12.0	1:5
070110907203031							
Load Class C					Sheet	Sheets 1	
Contact: tehnic@standartpark.ro					Polymer Concrete, Steel, Ductile Cast Iron / Polimer Beton, Fonta		